

Date: _____ Track: _____ Driver: _____

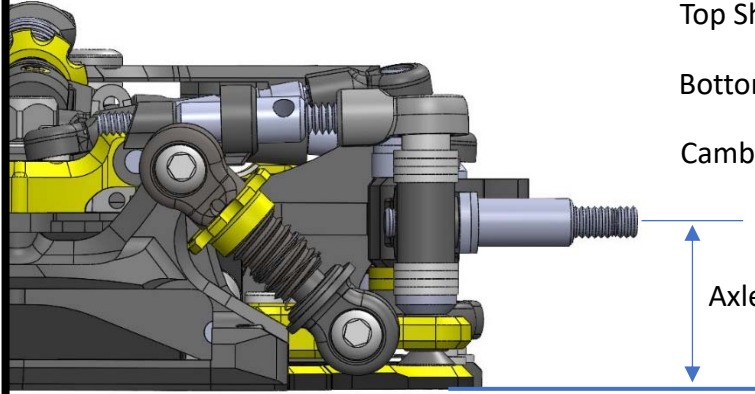
Surface: _____ Temperature: _____ Humidity: _____

Body: _____
 Wheelbase: _____
 Motor: _____
 ESC: _____
 Battery _____
 Servo: _____
 Differential: _____
 Spur Gear: _____
 Motor Pinion: _____

Front Wheel: _____
 Rear Wheel: _____
 Front Tire: _____
 Rear Tire: _____

Note:

Front:



Ride Height: _____

Top Shim: _____

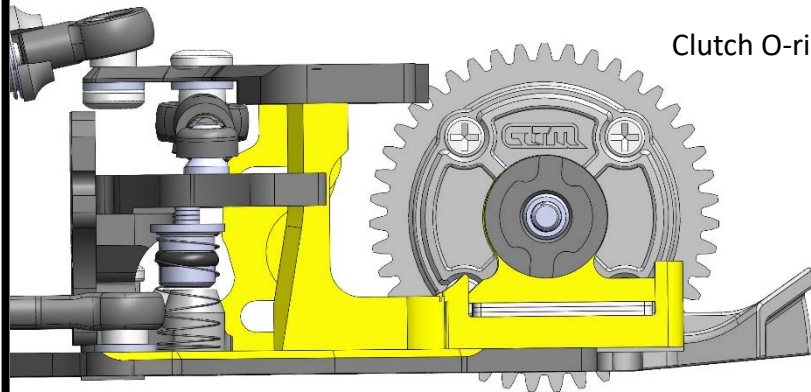
Bottom Shim: _____

Camber: Angle _____

Axle Height: _____

Spring: _____ Grease: _____

Rear:

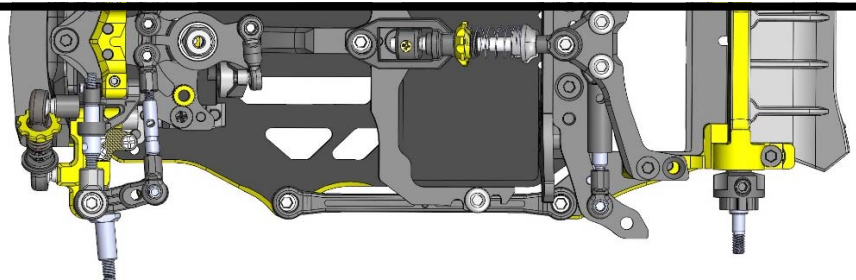


Differential: _____

Diff Clutch: _____

Clutch O-ring: _____

Side Spring: _____ Axle Shim: _____



Front Toe Angle: _____

Chassis Material: _____

Knuckle Ball Stud Position:

Front Back

Middle Spring: _____

Damper Grease: _____

Side Damper:

Long Short

Grease: _____