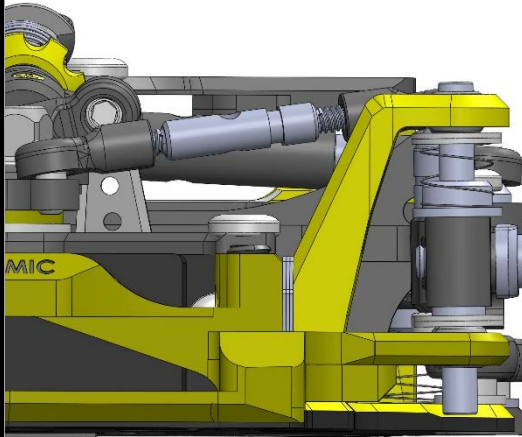


Body: _____
 Wheelbase: _____
 Motor: _____
 ESC: _____
 Battery _____
 Servo: _____
 Differential: _____
 Spur Gear: _____
 Motor Pinion: _____

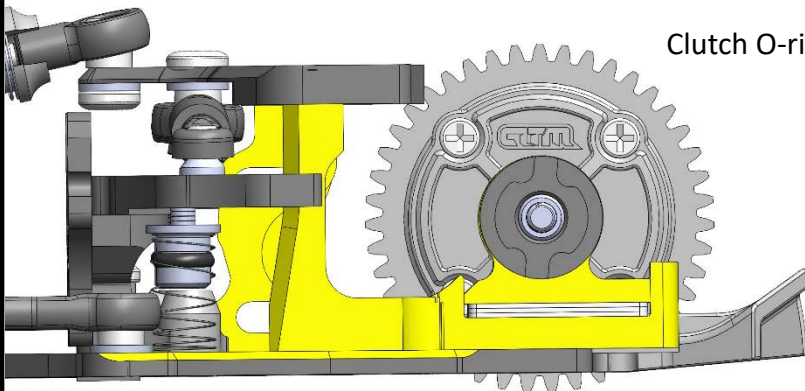
Front:



Camber Shim: _____
 Top Shim: _____
 Bottom Shim: _____
 Spring: _____
 Grease: _____

Front Wheel: _____
 Rear Wheel: _____
 Front Tire: _____
 Rear Tire: _____

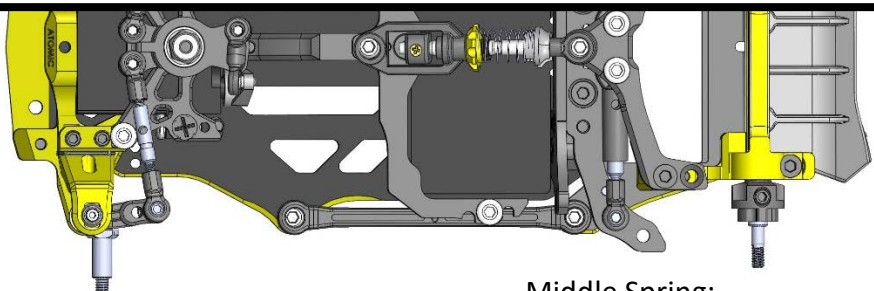
Rear:



Differential: _____
 Diff Clutch: _____
 Clutch O-ring: _____

Side Spring: _____ Axle Shim: _____

Note:



Front Toe Angle : _____
 Chassis Material: _____

Knuckle Ball Stud Position:

Front Back

Middle Spring: _____
 Damper Grease: _____

Side Damper:

Long Short

Grease: _____