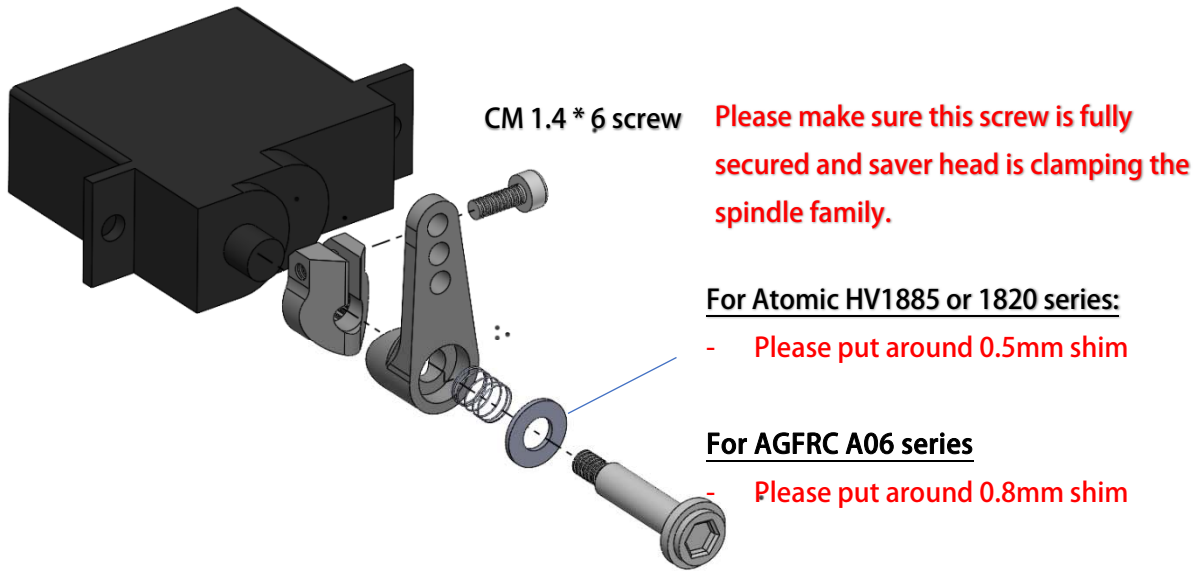


## Servo Saver for Atomic HV1885, 1820 and AGFRC A06



M2 King Pin Screw

Please make sure this king pin screw is fully secured to the servo head.

For MRZ SF, move the ball head forward by adding shims. but for MRZ EX, it does NOT need this shim.

