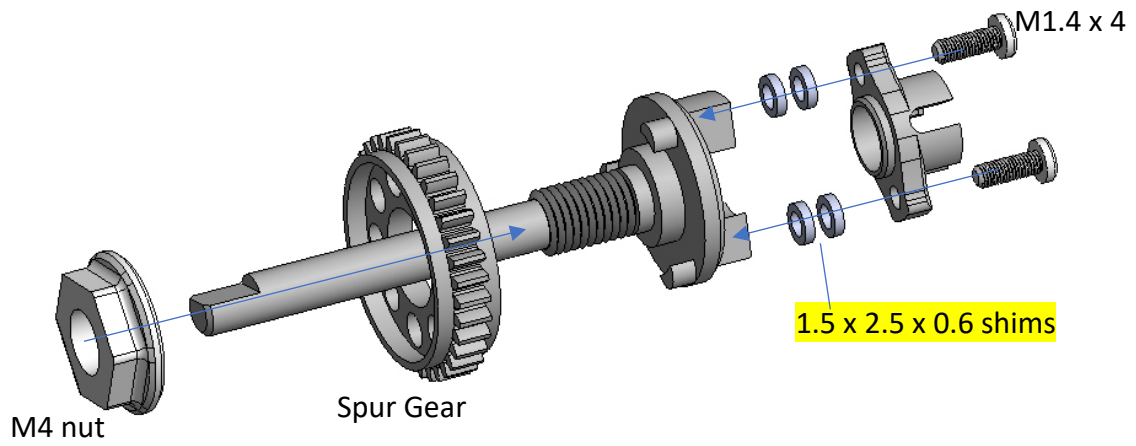


Step 01 – Solid Axle Assembly



Step 02 – Install to the Center Hub

