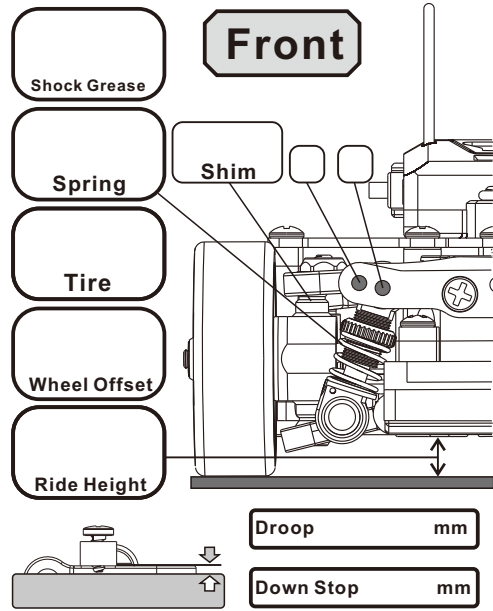
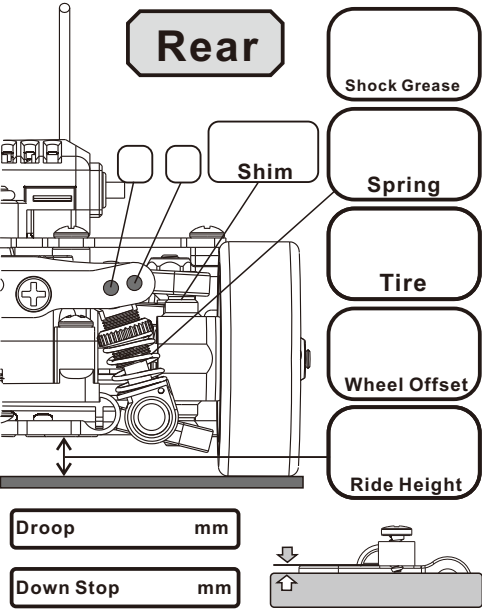


# Setup Sheet

Name. \_\_\_\_\_ Date. \_\_\_\_\_

Track. \_\_\_\_\_ Event. \_\_\_\_\_ Final Position. \_\_\_\_\_



Drop mm

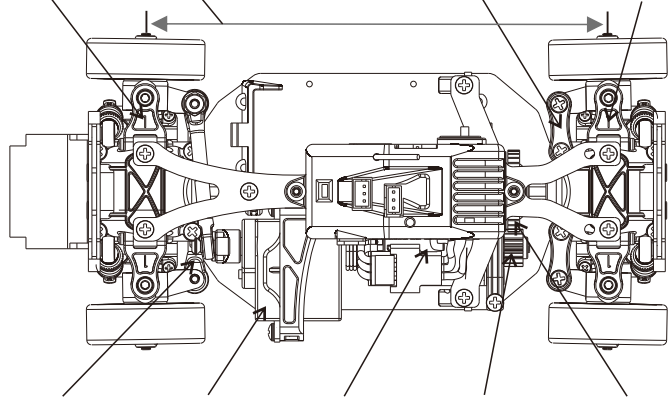
Down Stop mm

Drop mm

Down Stop mm

## Body.

1 1.5	90 94 98	Battery	1 1.5
2.0 2.5			2.0 2.5
Camber Angle	Wheel Base		Camber Angle



+1 0			
-1 -2	Servo	Motor	Pinion Gear
Tie Rod			Spur Gear

## Speed Controller

### PROGRAM CARD SETUP

- Running Mode  
1 2 3
- Low Voltage Cut-Off Threshold  
1 2 3 4 5 6
- Over-heat Protection  
1 2
- Neutral Range  
1 2 3
- Start Mode (Punch)  
1 2 3 4 5 6 7 8 9
- Maximum Forward Force  
1 2 3 4 5
- Maximum Reverse Force  
1 2 3 4
- Maximum Brake Force  
1 2 3 4 5
- Drag Brake Force  
1 2 3 4 5 6 7 8
- Initial Brake Force  
1 2 3 4
- Timing  
1 2 3 4 5 6 7 8