



BZ Setup sheet



Date: _____ Place: _____ Track: _____
 Driver: _____ Best lap: _____ Final position: _____

Body: _____
 Wheel Base: 90 / 94 / 98
 Motor: _____
 Spur gear: _____
 Pinion gear: _____
 Gear ratio: _____
 Battery: _____
 Servo: _____
 Weight: _____



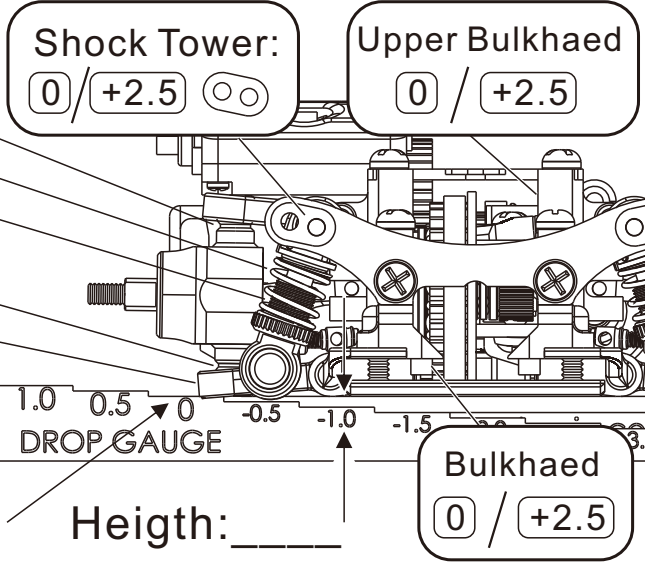
Speed controller

Program card setup

1. Running Mode
 1 2 3
2. Low Voltage Cut-Off Threshold
 1 2 3 4 5 6
3. Over-heat Protection
 1 2
4. Neutral Range
 1 2 3
5. Start Mode (Punch)
 1 2 3 4 5 6 7 8 9
6. Maximum Forward Force
 1 2 3 4 5
7. Maximum Reverse Force
 1 2 3 4
8. Maximum Brake Force
 1 2 3 4 5
9. Drag Brake Force
 1 2 3 4 5 6 7 8
10. Initial Brake Force
 1 2 3 4
11. Timing
 1 2 3 4 5 6 7 8

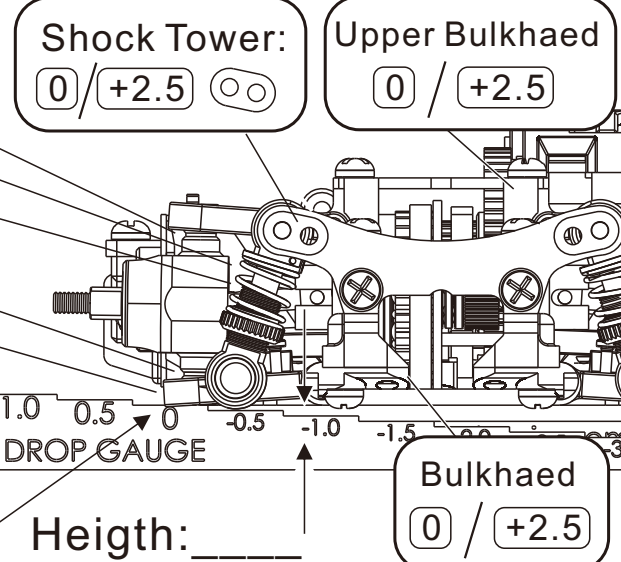
Front

Shim: _____ mm
 Spring: _____
 Grease: _____
 Shim: _____ mm
 Arm: N / W



Rear

Shim: _____ mm
 Spring: _____
 Grease: _____
 Shim: _____ mm
 Arm: N / W



Camber: N 1 1.5 2.0 2.5 W

Ball Diff / _____

Ball Diff / _____

Camber: N 1 1.5 2.0 2.5 W

toe in: N / W

toe: in / out _____

Rear

Front

Shim: 0.5mm / (Original) _____ Shim: _____ mm

Wheel offset: _____ Tire: _____

Wheel offset: _____ Tire: _____