

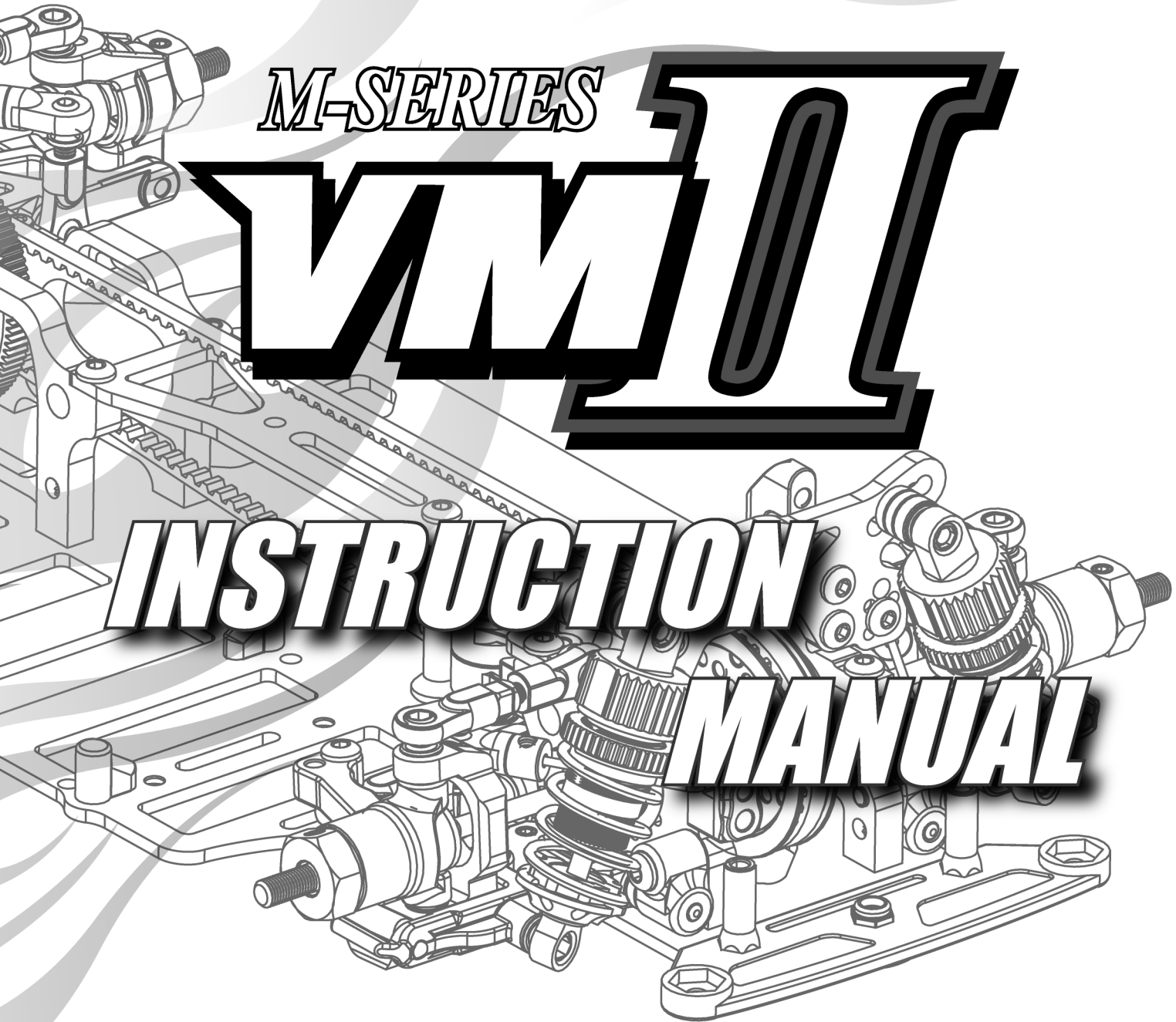


M-SERIES

VM1

INSTRUCTION

MANUAL



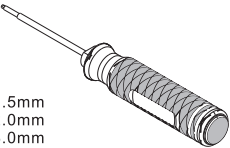
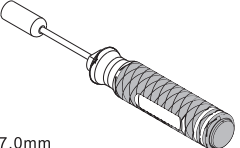
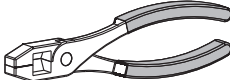
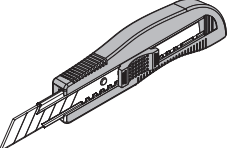
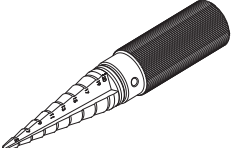
CONTENT

0. TOOLS AND ACCESSORIES			
1. FRONT & REAR SUSPENSION FRONT SOLID AXLE	P.1	8. FRONT TRANSMISSION UPRIGHT	P.8
2. BALL DIFFERENTIAL CENTRAL TRANSMISSION	P.2	9. REAR TRANSMISSION DAMPER	P.9-10
3. FRONT & REAR SUSPENSION ARMS	P.3	10. FRONT BODY MOUNT FRONT DAMPERS	P.11
4. TRANSMISSION	P.4	11. REAR DAMPERS MOTOR	P.12
5. FRONT & REAR DAMPERS STAY STEERING SAVER	P.5	12. ELECTRIC UNIT WHEEL	P.13
6. LINKAGE	P.6	13. BATTERY STAY & ANTENNA BATTERY	P.14
7. SWING SHAFT STEERING BLOCKS	P.7	14. SUGGESTION SETTING	P.15
		15. OPTION PARTS	P.16


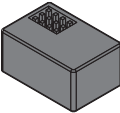
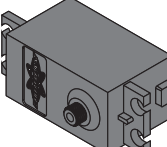
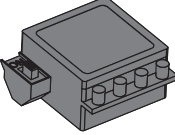
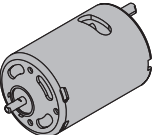

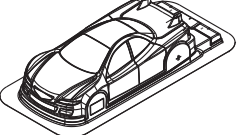
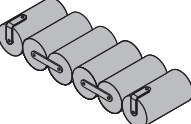
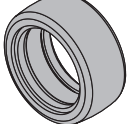

Symbols Used

<p>Part Bags Need</p> 	<p>Assemble Left and Right sides the same way</p> 	<p>Pay attention here</p> 	<p>Assemble as many times as specified (here once)</p> 	<p>Apply CA glue</p> 
			<p>Apply oil</p> 	<p>Apply grease</p> 

Tools Required

 <p>1.5mm 2.0mm 3.0mm</p> <p>Hex wrench</p>	 <p>7.0mm</p> <p>Hex wrench</p>	 <p>Pliers</p>	 <p>Modeling Knife</p>	 <p>Reamer</p>
--	--	---	--	---

Equipment Required

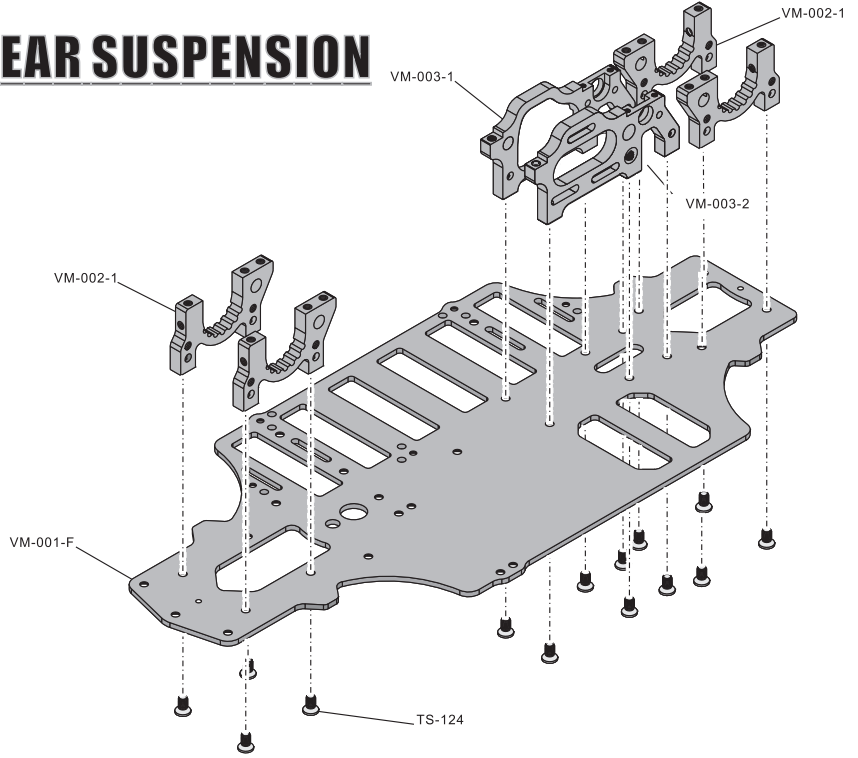
 <p>Transmitter</p>	 <p>Receiver</p>	 <p>Steering Servo</p>	 <p>Speed Controller</p>	 <p>Electric Motor</p>
 <p>Pinion Gear</p>	 <p>Body Shell</p>	 <p>Battery</p>	 <p>Tires & Inserts</p>	

1.

FRONT & REAR SUSPENSION



TS-124
M3 x 6mm KM



BAG
A

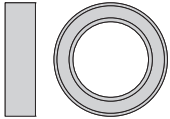
BAG
M

2.

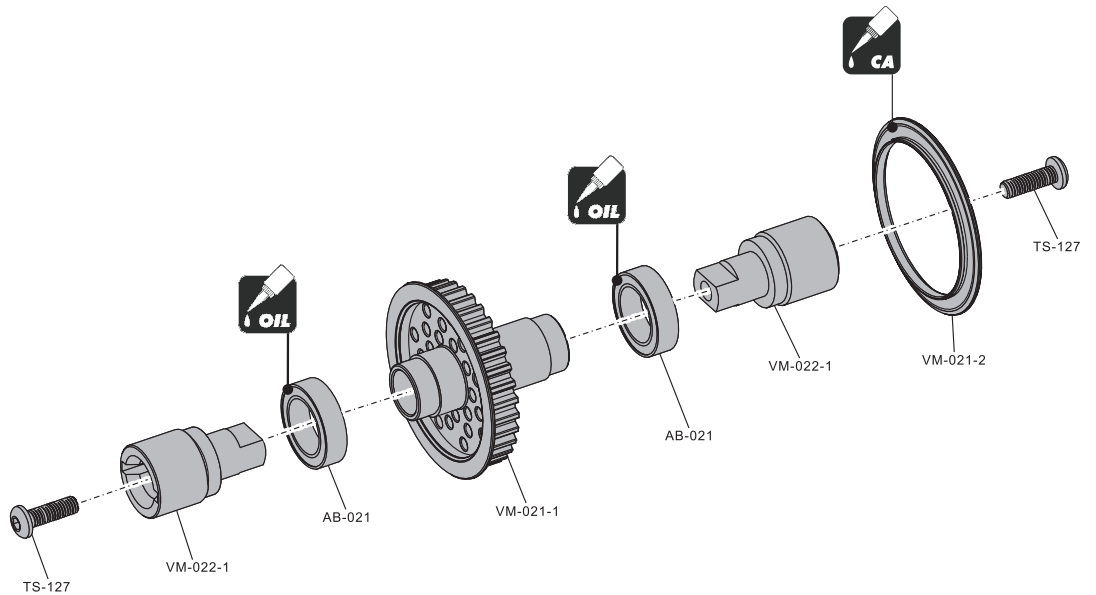
FRONT SOLID AXLE



TS-127
M3 x 10mm PM



AB-021
10 x 15 x 4mm Bearing



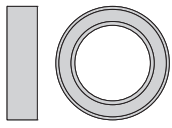
BAG
B

BAG
L

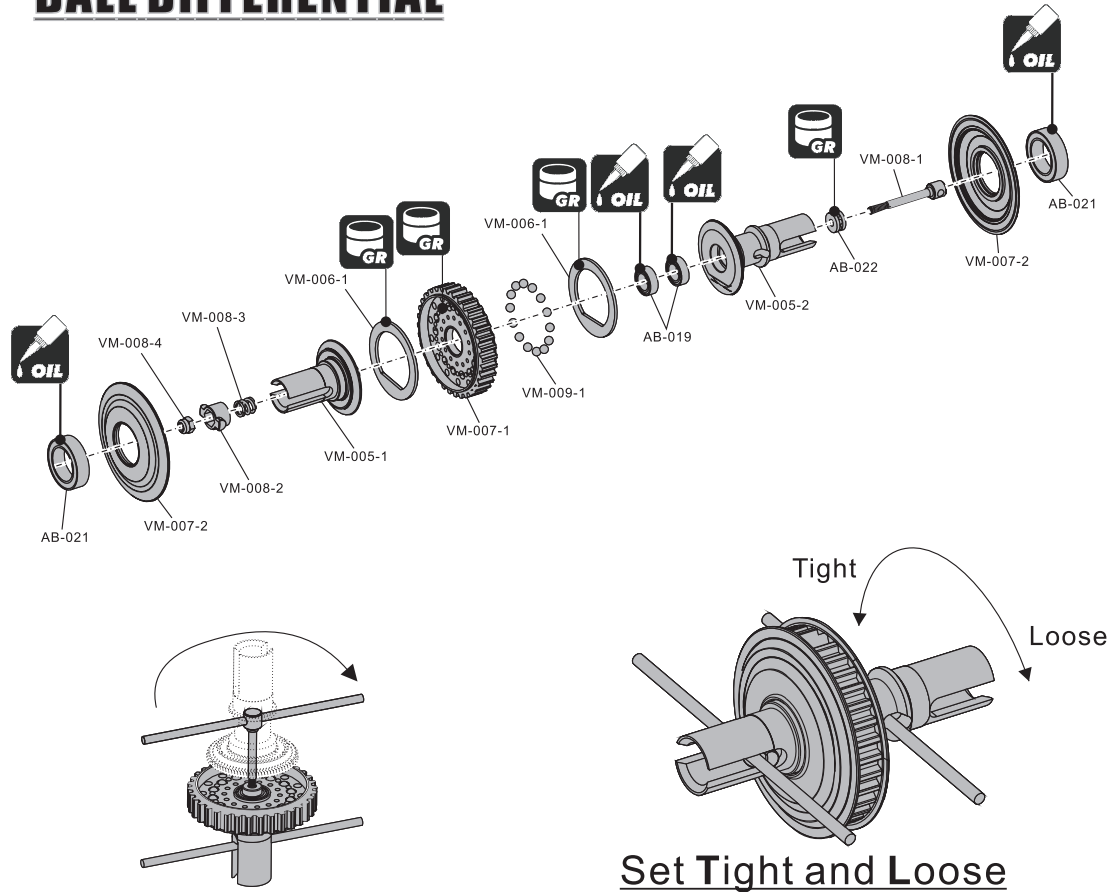
BAG
M

3.

BALL DIFFERENTIAL



AB-021
10 x 15 x 4mm Bearing



BAG
B

BAG
L

4.

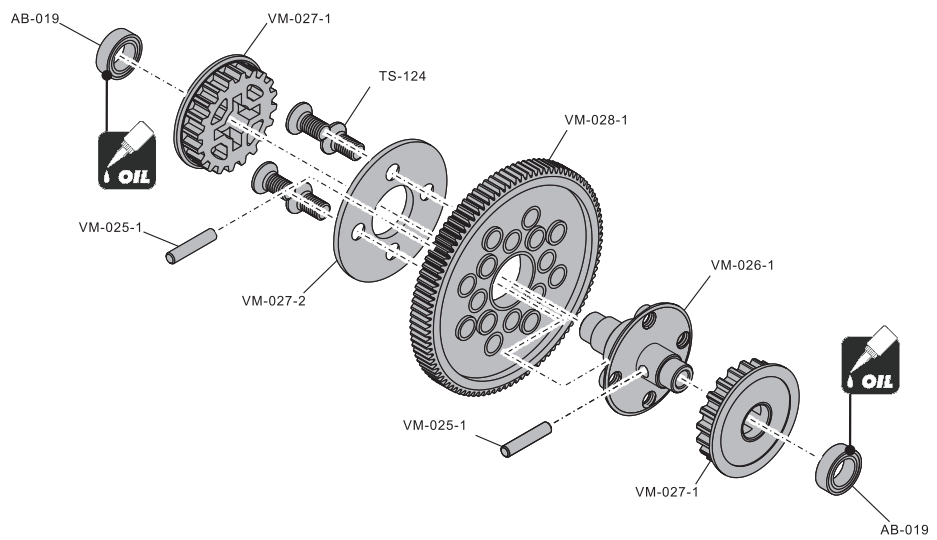
CENTRAL TRANSMISSION



TS-124
M3 x 6mm KM



AB-019
5 x 8 x 2.5mm Bearing



BAG
F

BAG
L

BAG
M

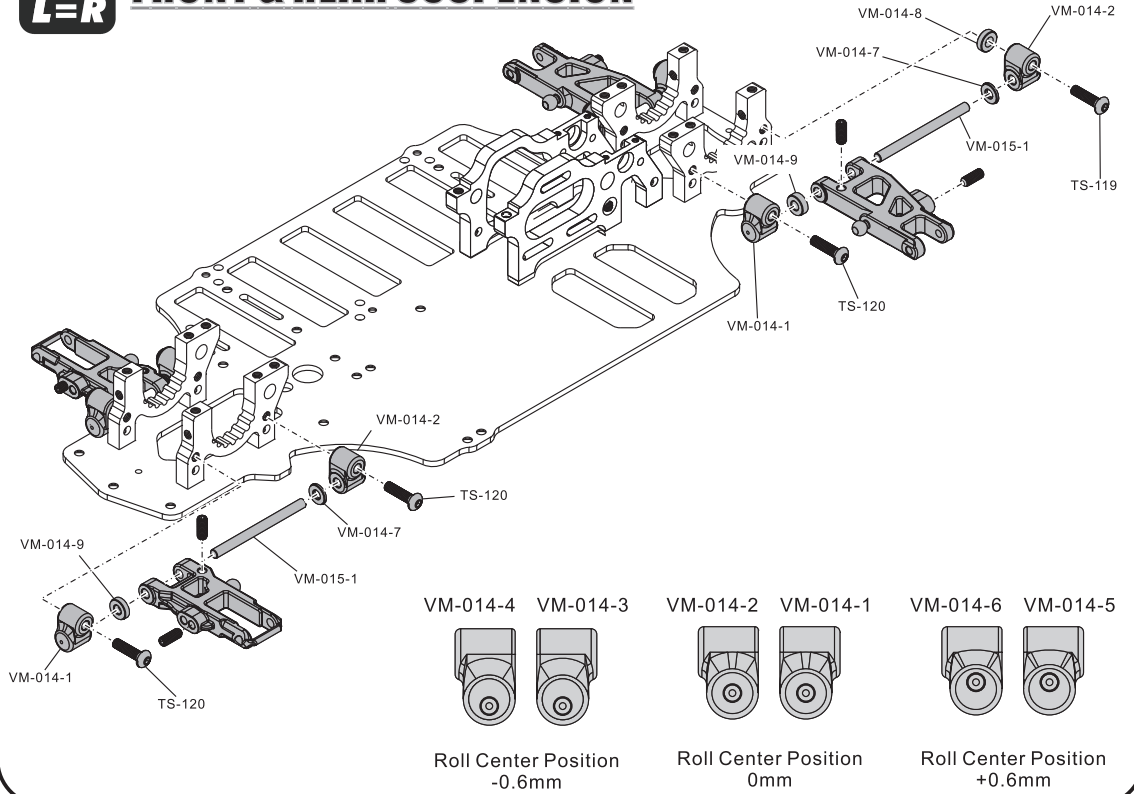
BAG
N

5.

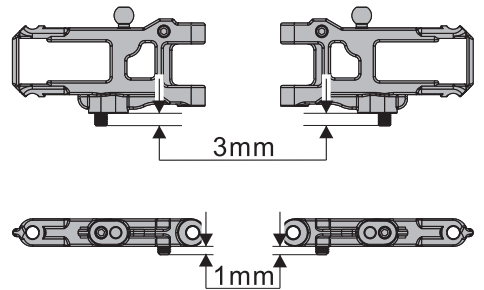
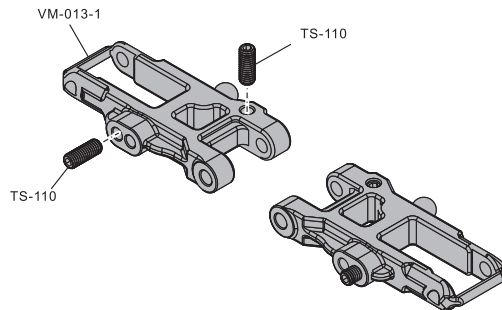


FRONT & REAR SUSPENSION

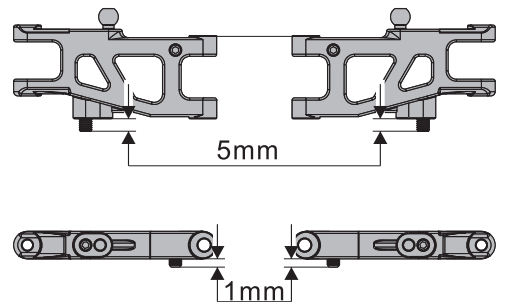
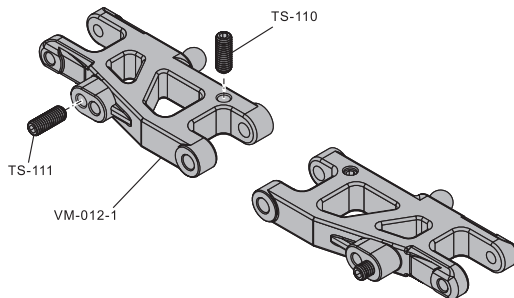
- TS-110
M3 x 8 screw
- TS-111
M3 x 10 set screw
- TS-120
M3 x 14mm PM
- TS-119
M3 x 16mm PM
- VM-014-7
3 x 7 x 1mm SHIM
- VM-014-8
3 x 7 x 2mm SHIM
- VM-014-9
3 x 7 x 2.5mm SHIM



FRONT ARMS



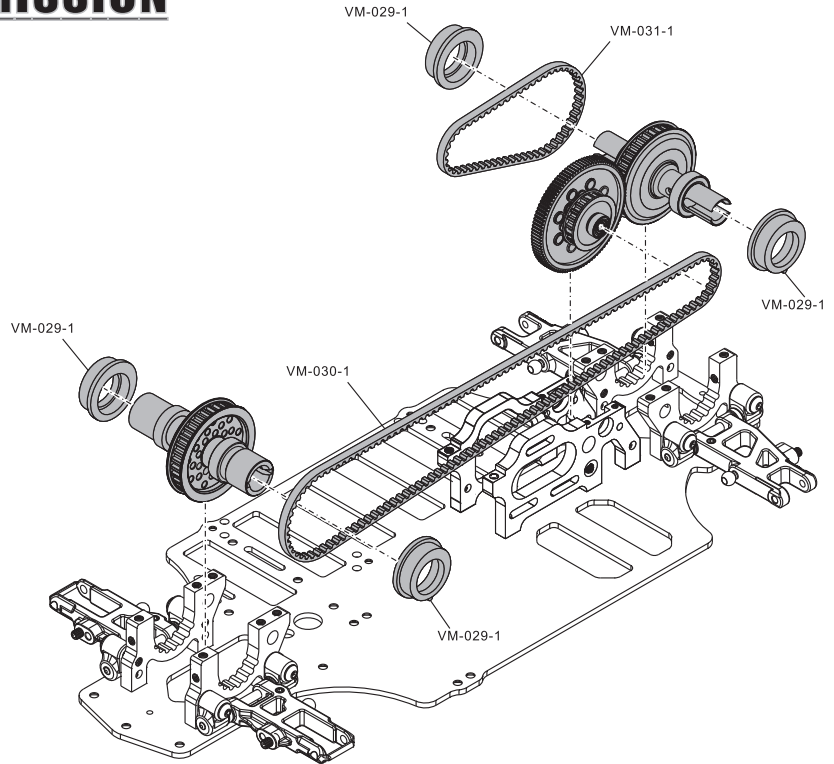
REAR ARMS



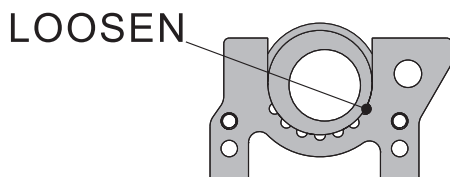
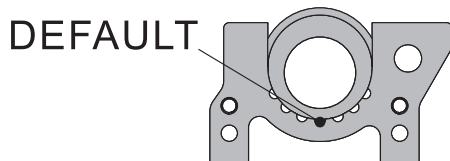
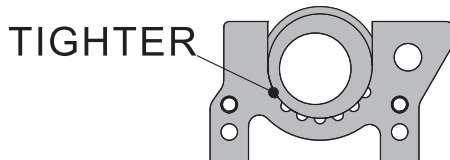
- BAG C**
- BAG D**
- BAG E**
- BAG M**
- BAG N**

6.

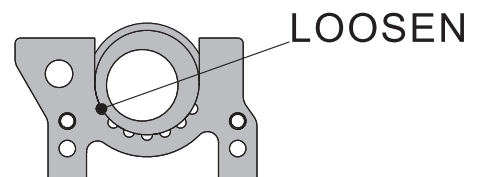
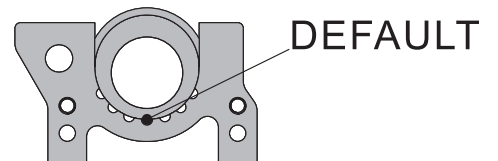
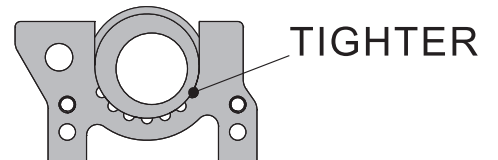
TRANSMISSION



FRONT BELT TENSION ADJUSTMENT



REAR BELT TENSION ADJUSTMENT

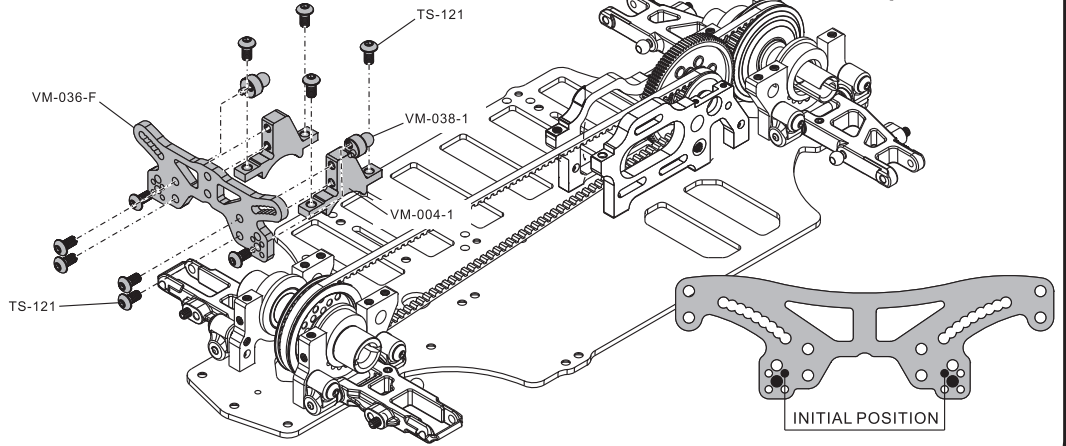
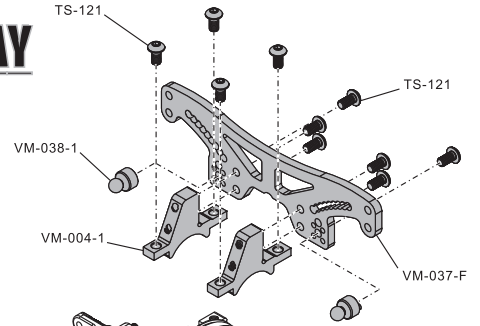
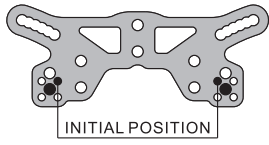
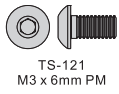


BAG
B

BAG
G

7.

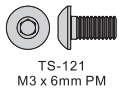
FRONT & REAR DAMPERS STAY



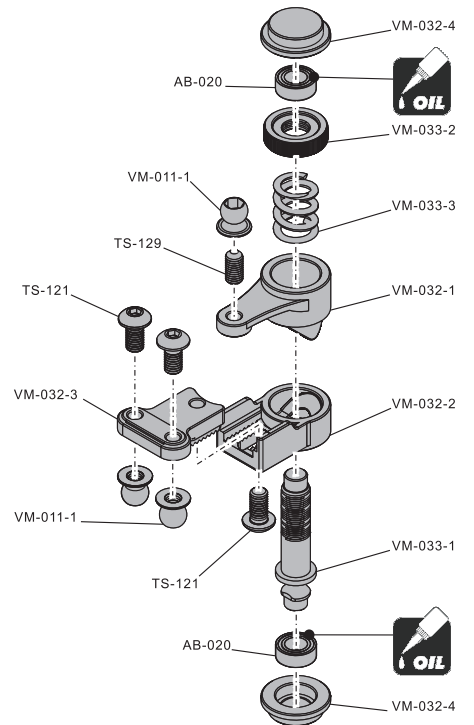
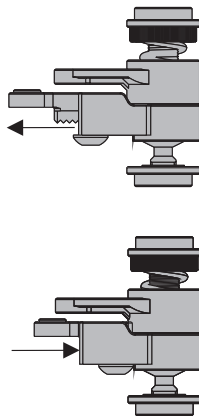
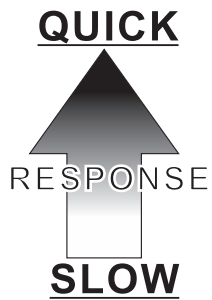
- BAG
A
- BAG
I
- BAG
M
- BAG
N

8.

STEERING SAVER



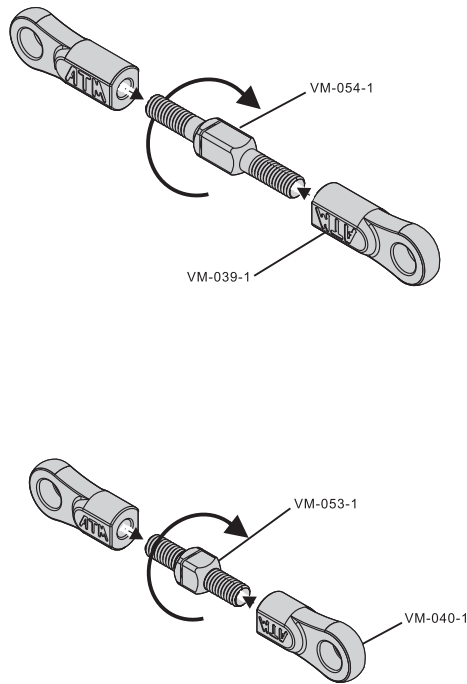
ADJUSTMENT SETTING



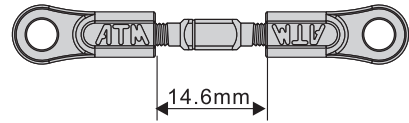
- BAG
H
- BAG
L
- BAG
M
- BAG
N

9.

LINKAGE

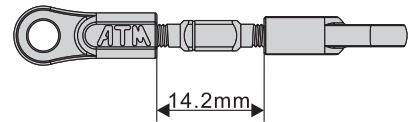


Steering linkage



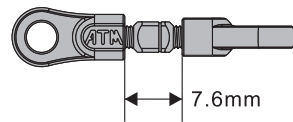
2x

Servo linkage



1x

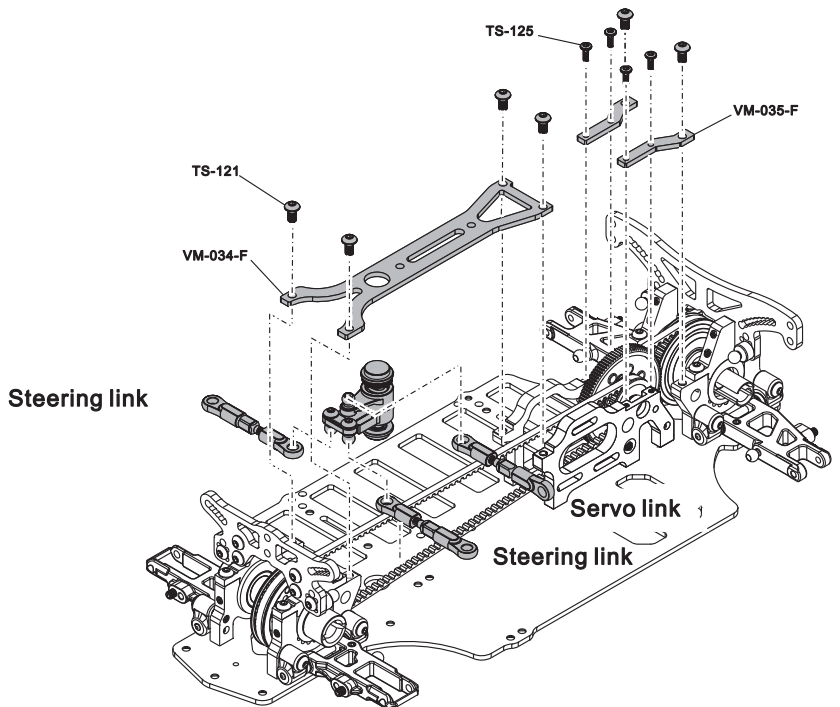
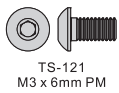
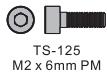
Front and Rear Linkage



4x

BAG N

10.



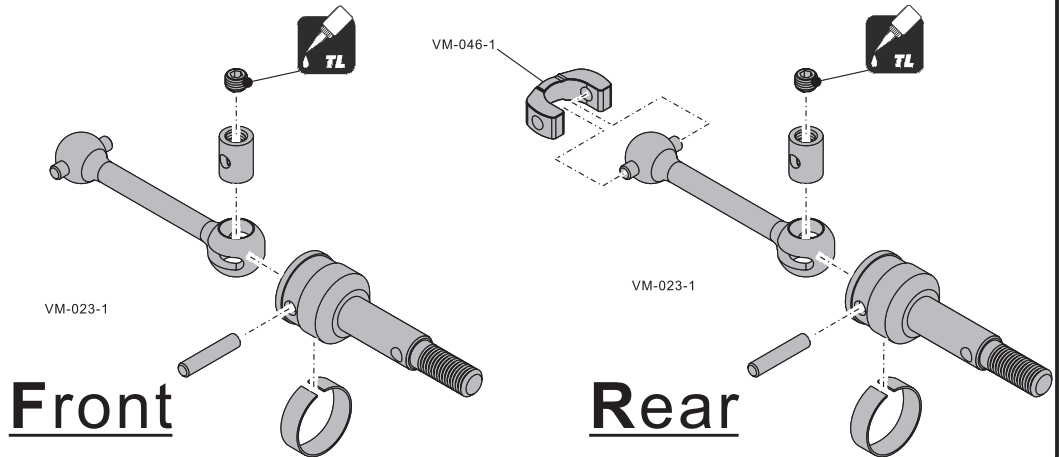
BAG I

BAG M

11.

4x SWING SHAFT

TS-109
M3 x 3 set screw



BAG
N

12.

L=R STEERING BLOCKS

TS-109
M3 x 3 set screw

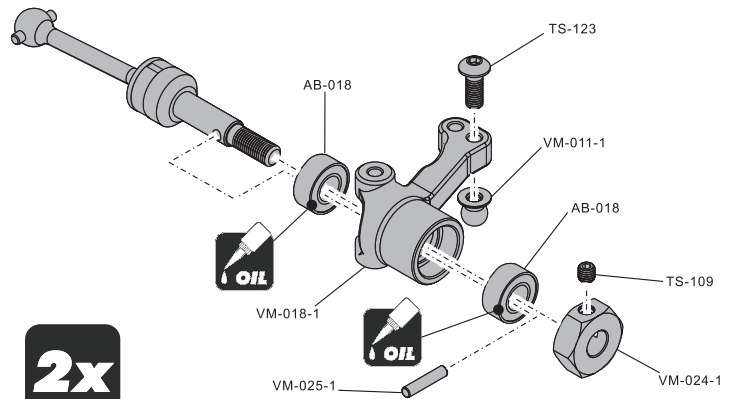
TS-111
M3 x 10 set screw

TS-123
M3 x 8mm PM

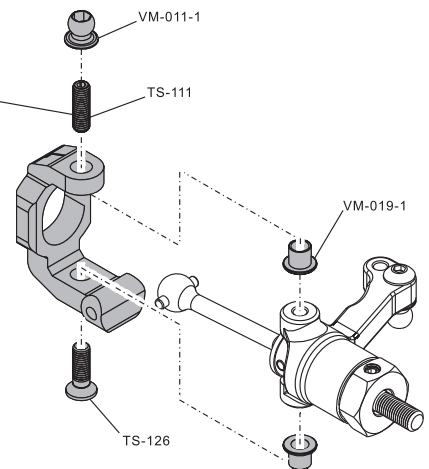
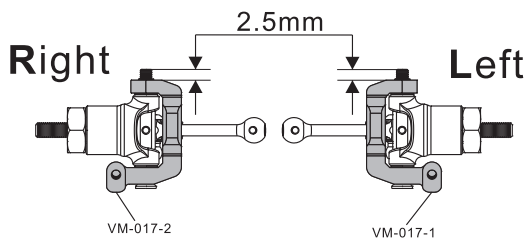
TS-126
M3 x 10mm KM

AB-018
5 x 10 x 4mm Bearing

2x



Remark: For adding the shim here
M3 x 12 screw should be used



BAG
C

BAG
L

BAG
M

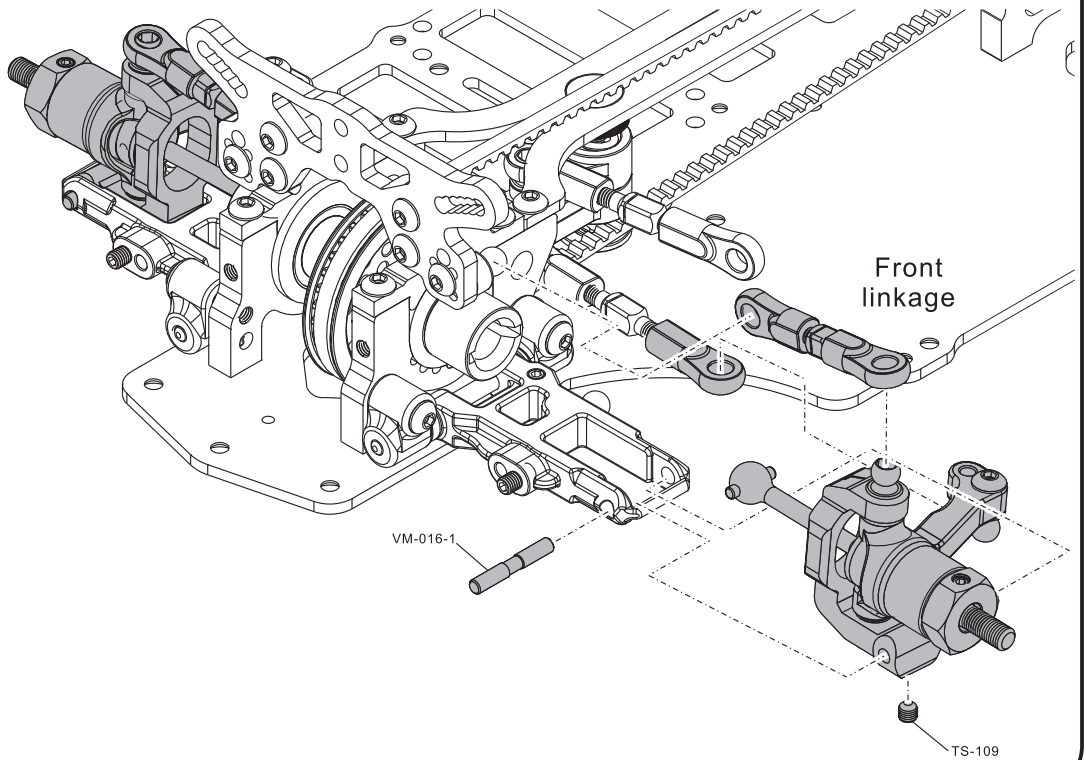
BAG
N

13.



FRONT TRANSMISSION

TS-109
M3 x 3 set screw



BAG
M

BAG
N

14.

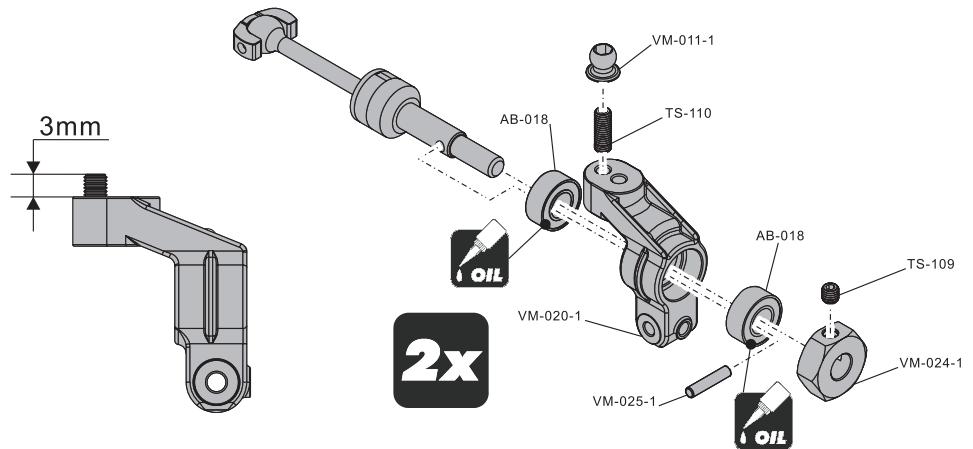


UPRIGHT

TS-109
M3 x 3 set screw

TS-110
M3 x 8 set screw

AB-018
5 x 10 x 4mm Bearing



BAG
D

BAG
L

BAG
M

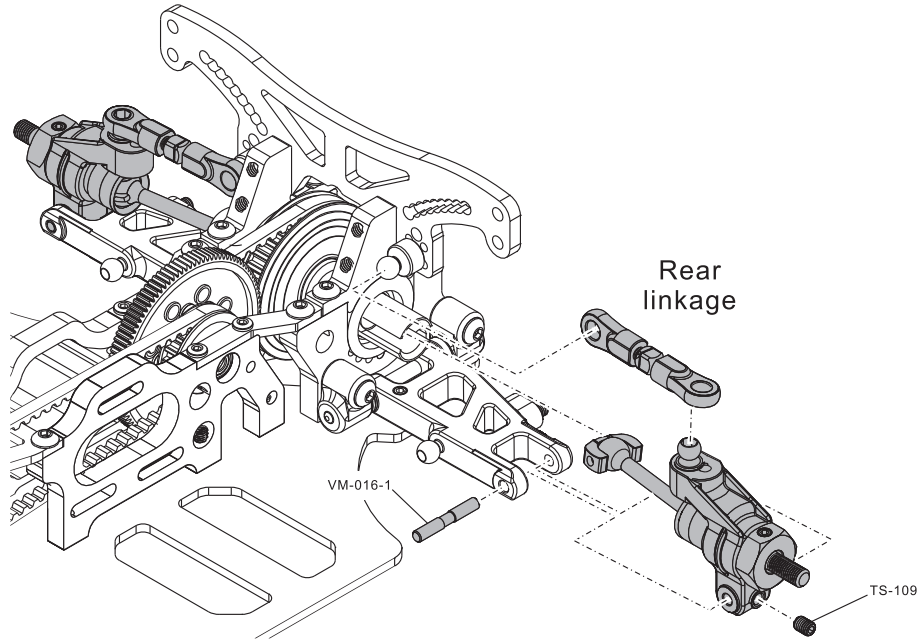
BAG
N

15.



REAR TRANSMISSION

TS-109
M3 x 3 set screw

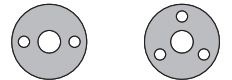


BAG
M

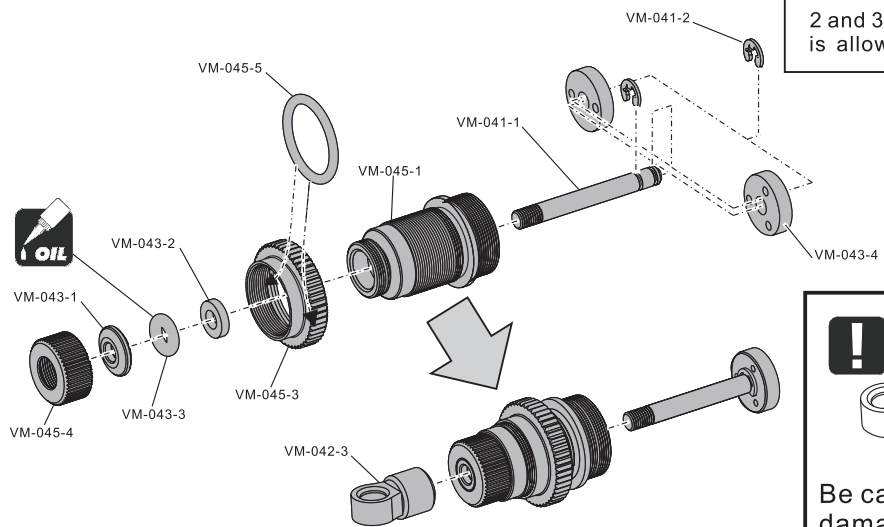
BAG
N

16a.

4x Damper



2 and 3 holes pistons
is allowed to choose

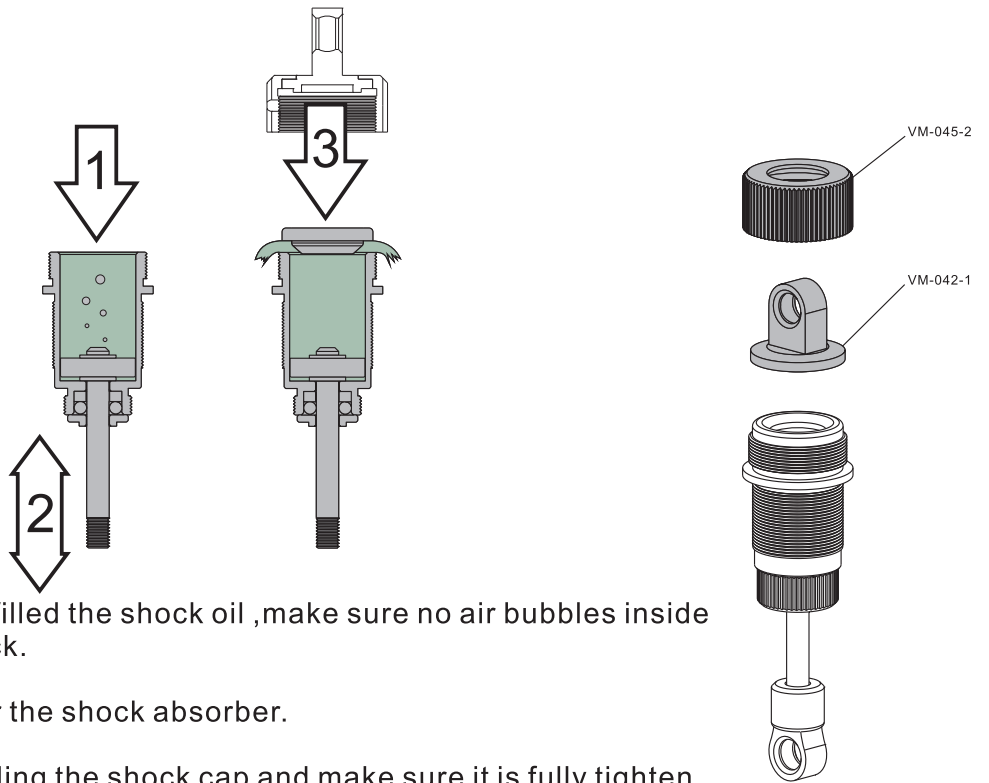


Be careful not to
damage piston rod

BAG
J

16b.

4x Damper

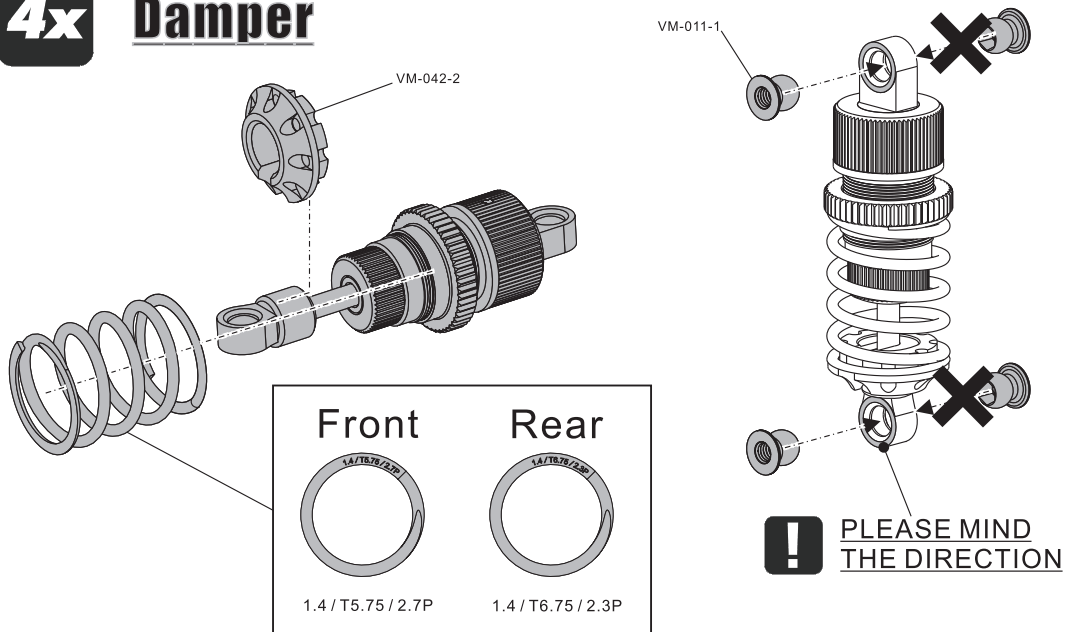


1. After filled the shock oil ,make sure no air bubbles inside the shock.
2. Cover the shock absorber.
3. Installing the shock cap and make sure it is fully tighten.
4. Clean the shock oil leaking out.

BAG
J

16c.

4x Damper

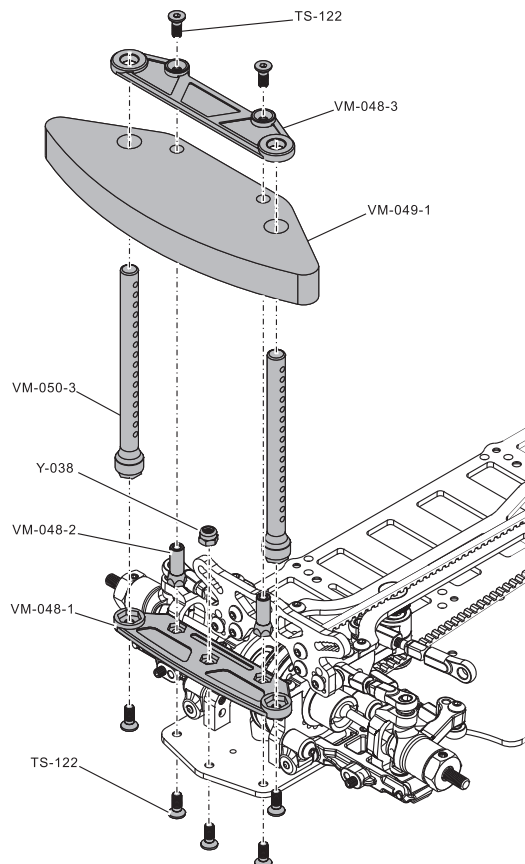
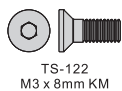


BAG
J

BAG
N

17.

FRONT BODY MOUNT

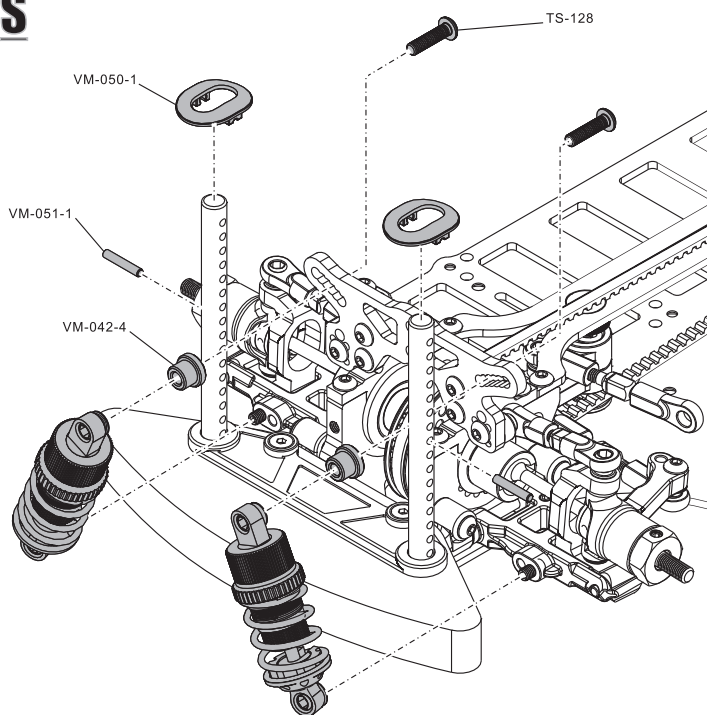
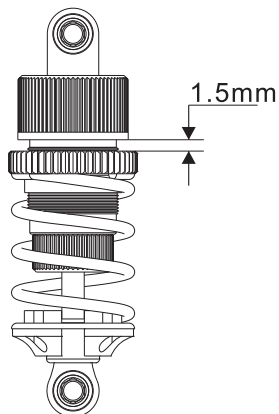
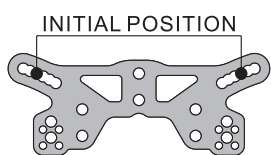
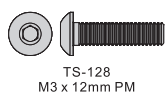


BAG
K

BAG
M

18.

FRONT DAMPERS



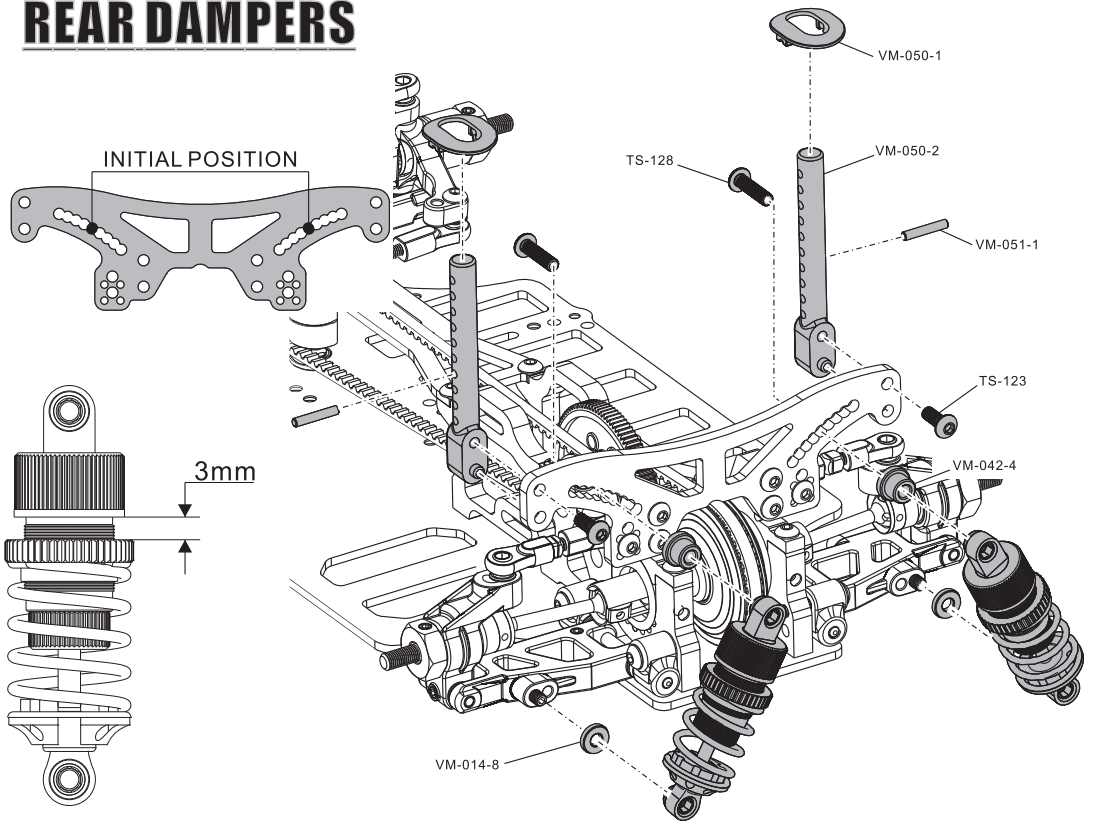
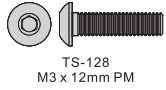
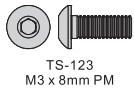
BAG
K

BAG
M

BAG
N

19.

REAR DAMPERS



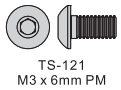
BAG
K

BAG
M

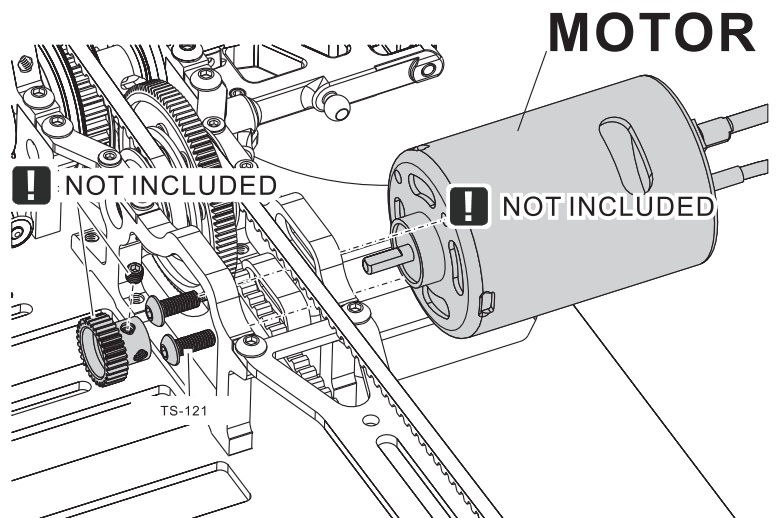
BAG
N

20.

MOTOR



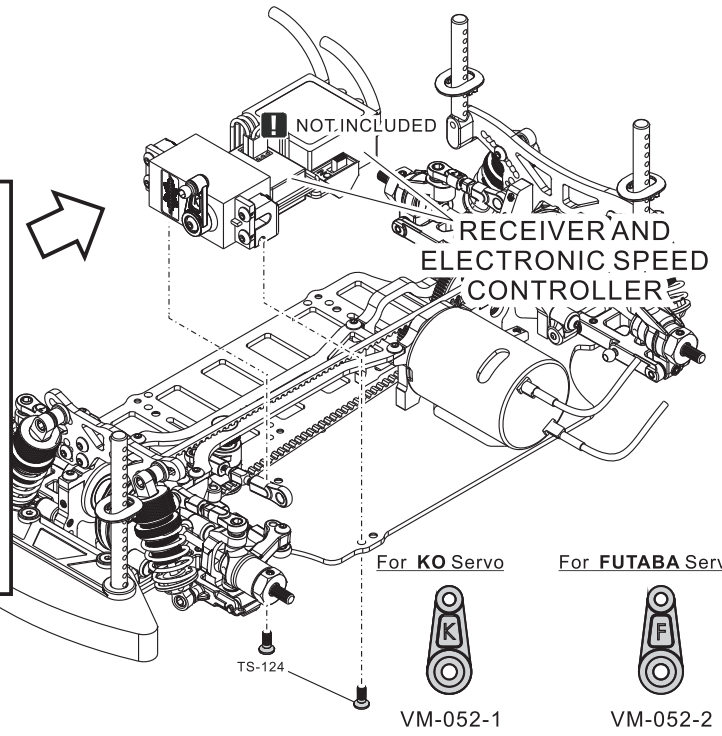
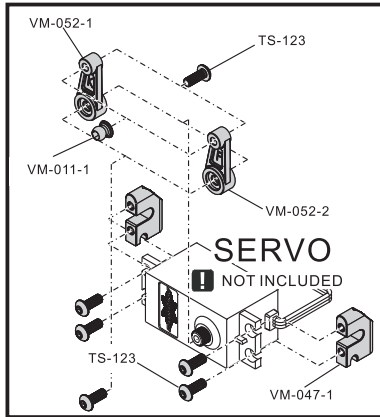
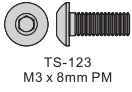
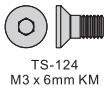
Suggested number of pinion gear for Brushless Motor	
For using 100T Spur Gear	
Type of motor	Pinion gear
11.5T	37-39T
10.5T	34-36T
8.5T	27-29T
6.5T	23-25T
3000Kv	39-42T
3700Kv	35-38T
4300Kv	32-35T
Internal Gear Ratio 1.7	



BAG
M

21.

ELECTRIC UNIT



BAG
H

BAG
M

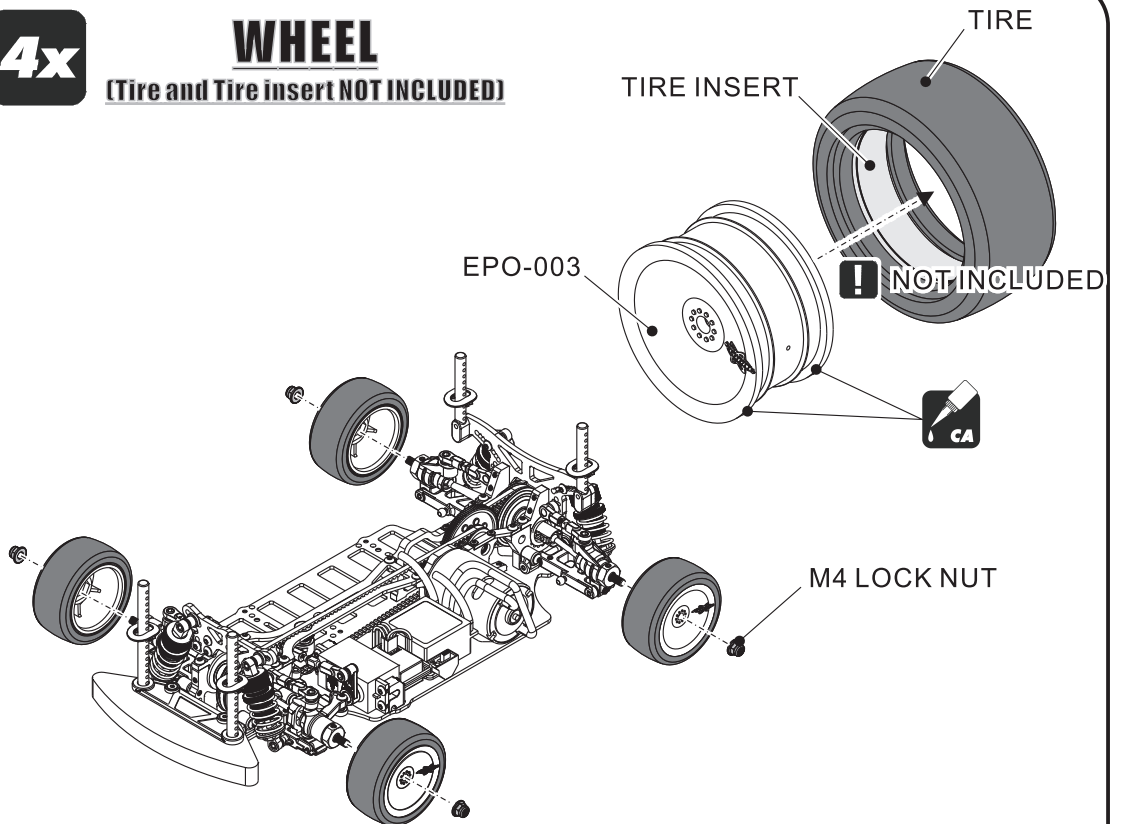
BAG
N

22.

4x

WHEEL

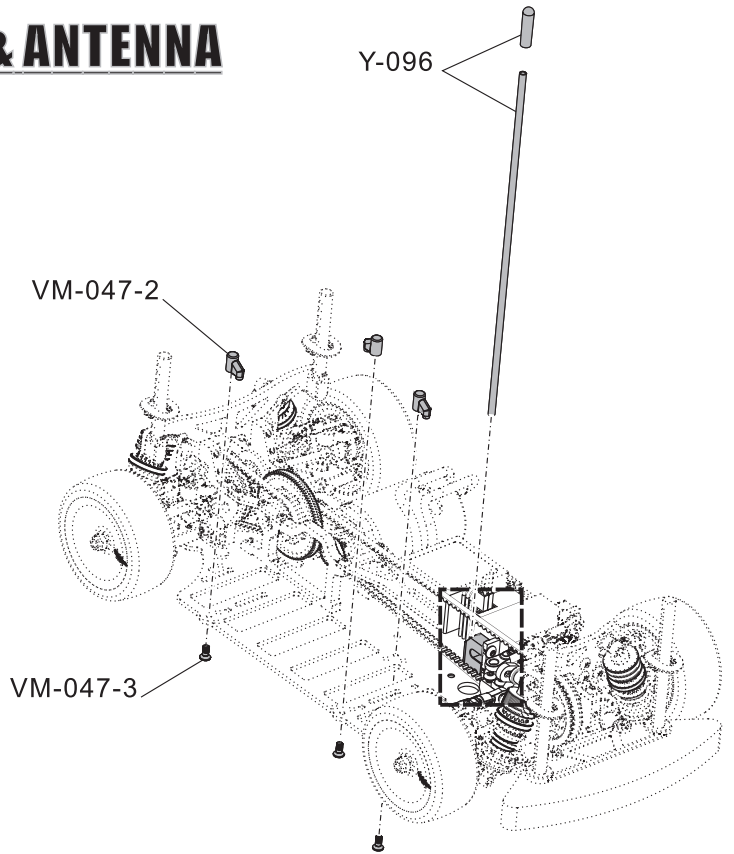
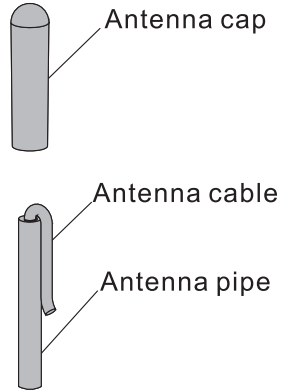
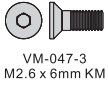
(Tire and Tire insert NOT INCLUDED)



BAG
N

24.

BATTERY STAY & ANTENNA

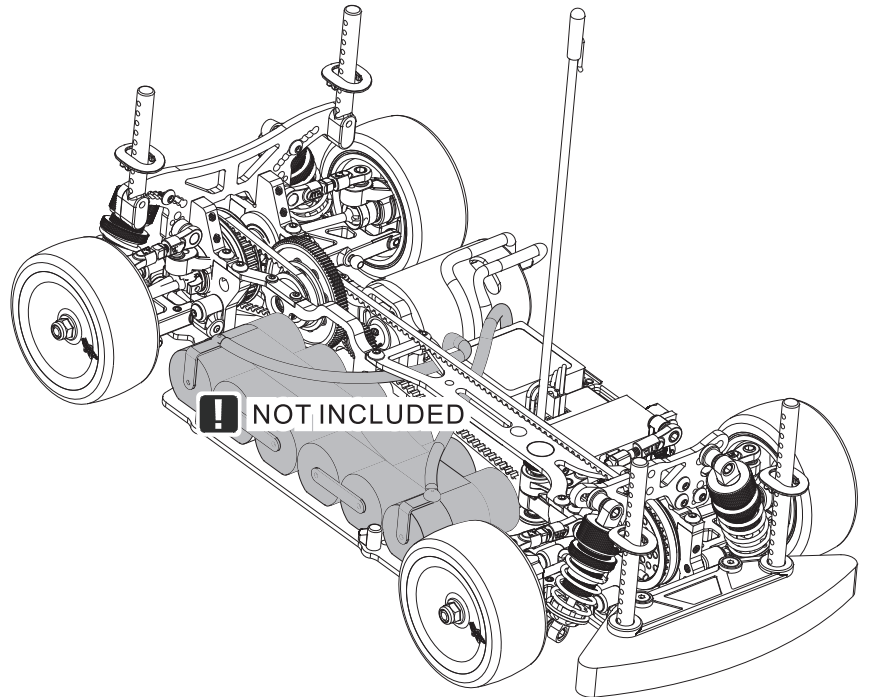


BAG
H

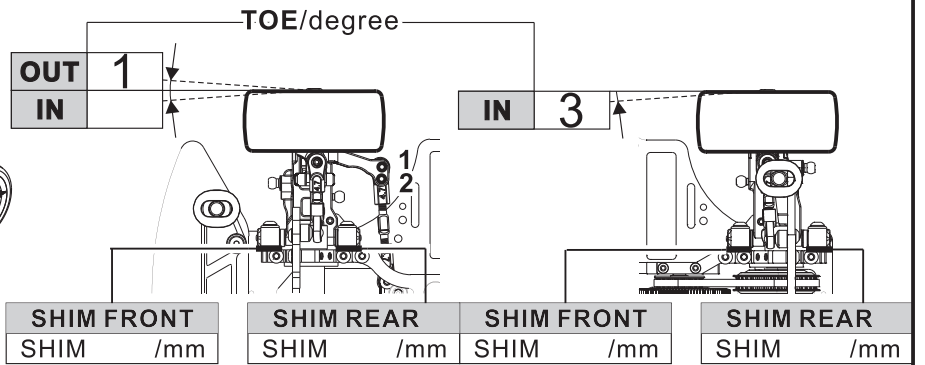
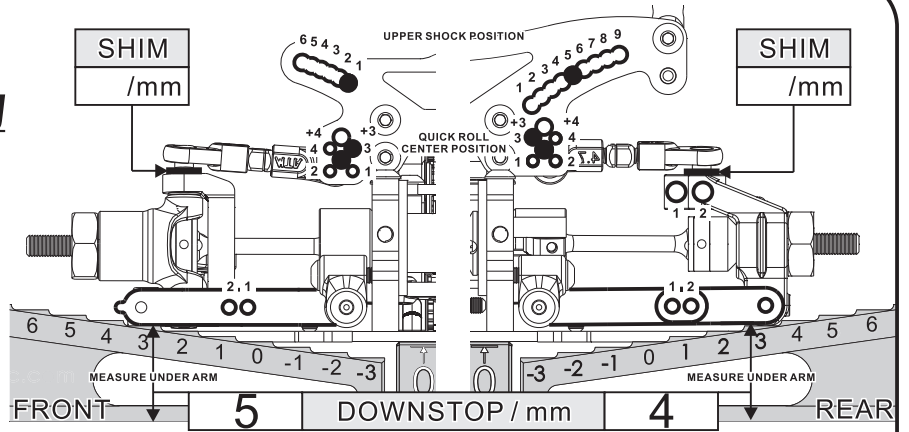
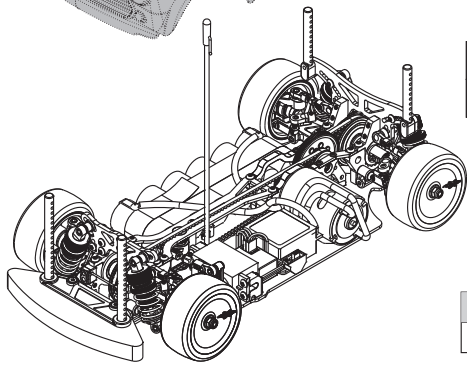
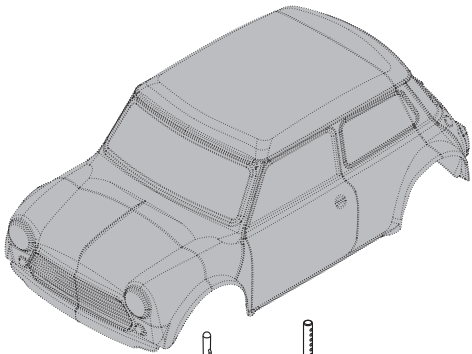
BAG
M

25.

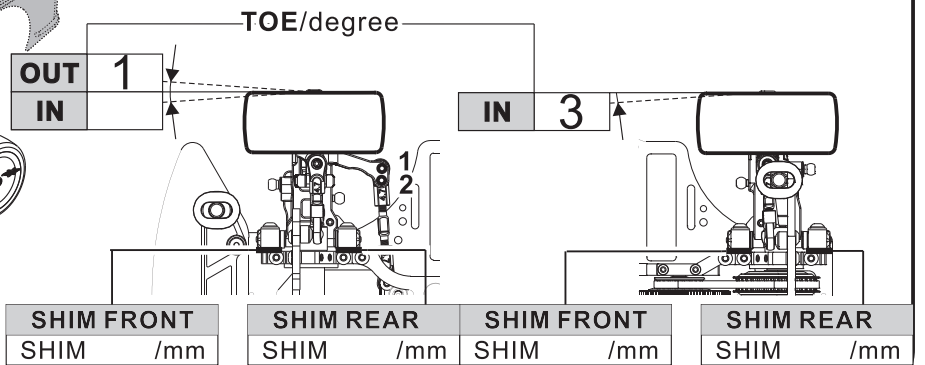
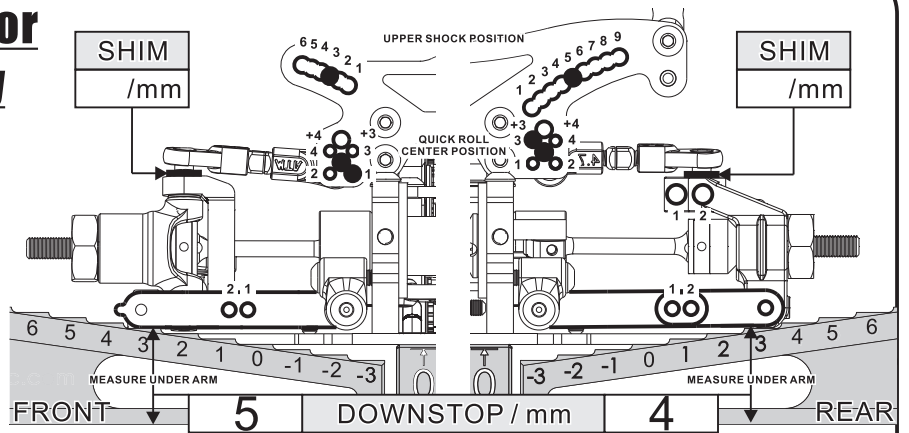
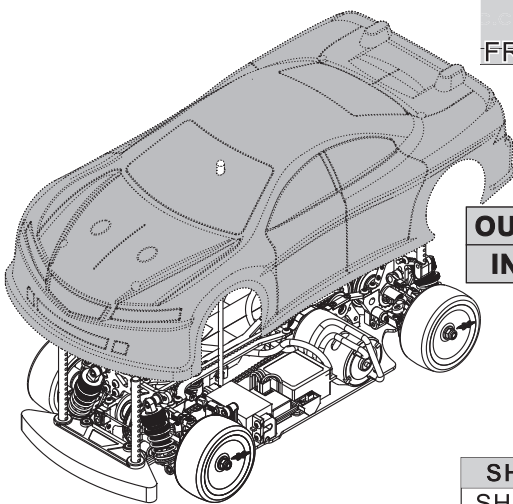
BATTERY (NOT INCLUDED)



Suggestion setting for using K-Car Body



Suggestion setting for using Touring Body



Option Parts:

 <p>Graphite Chassis</p>	 <p>•2.0mm •2.5mm</p> <p>Main Upper Deck Graphite</p>	 <p>•1.5mm •2.0mm •2.5mm</p> <p>Rear Upper Deck Graphite</p>	 <p>•3.0mm</p> <p>Front Damper Stay Graphite</p>
 <p>•3.0mm</p> <p>Rear Damper Stay Graphite</p>	 <p>Aluminum Front Solid Axle</p>	 <p>Aluminum Front One-Way</p>	 <p>Gear Diff (F/R)</p>
 <p>Aluminum Diff Shaft</p>	 <p>0.5mm 1.0mm</p> <p>Aluminum Shim Spacer</p>	 <p>•1.5mm</p> <p>Aluminum Bearing Spacer</p>	 <p>•Hard •Medium •Soft</p> <p>1/10 M-touring Series Oil Shock Spring Set</p>
 <p>C.V. Universal Swing Shaft</p>	 <p>Aluminum Swing Shaft</p>	 <p>Aluminum Turnbuckle (Short 3 x 16mm) Sky Blue</p>	 <p>Aluminum Turnbuckle (Long 3 x 25mm) Sky Blue</p>
 <p>Low Friction Drive Belt Front</p>	 <p>Low Friction Drive Belt Rear</p>	 <p>Aluminum Steering Blocks</p>	 <p>Aluminum Upright Outboard</p>
 <p>Anti Roll Bar Set</p>	 <p>Aluminum Pulley</p>	 <p>Hard coated Out drive</p>	 <p>Ø2.38mm Ceramics Ball x14</p>

SET-UP SHEET

RACE			
TRACK			
NAME			
DATE	TEMPERATURE	AIR	TRACK
QUALIFYING POSITION		BEST LAP TIME / sec	FINAL POSITION / RACE LENGTH / minutes

TRACK CONDITION	TECHNICAL CARPET	MIXED ASPHALT	FAST
TRACTION	LOW	MEDIUM	HIGH

TRANSMISSION

FRONT		REAR	
DIFF.			
LOOSE	MEDIUM	TIGHT	TIGHT
SOLID AXLE			
PINION / T		SPUR GEAR / T	
FINAL DRIVE RATIO			

SHOCKS

FRONT	REAR
<input type="checkbox"/>	D=1.5 T5.25 3.3P
<input type="checkbox"/>	D=1.5 T5.5 3.2P
<input type="checkbox"/>	D=1.5 T5.75 3.1P
<input type="checkbox"/>	D=1.5 T6.0 3.0P
<input type="checkbox"/>	D=1.4 T5.25 2.9P
<input type="checkbox"/>	D=1.4 T5.5 2.8P
<input type="checkbox"/>	D=1.4 T5.75 2.7P
<input type="checkbox"/>	D=1.4 T6.0 2.6P
<input type="checkbox"/>	D=1.4 T6.25 2.5P
<input type="checkbox"/>	D=1.4 T6.5 2.4P
<input type="checkbox"/>	D=1.4 T6.75 2.3P
<input type="checkbox"/>	D=1.4 T7.0 2.2P

OIL / CST
LENGTH / mm
PRELOAD / mm
REBOUND %

OPENED CLOSED **HOLES IN PISTON**

ANTI-ROLL BAR
THICKNESS / mm

TIRES
INSERTS
WHEELS

MOTOR	ARMATURE
+ SPRING	-
+ BRUSH COMP.	-

ESC	BATTERIES
BRUSHLESS PROGRAM	PUNCH INITIAL BRAKE AUTO BRAKE

BODY	WING
------	------

