

Date: _____ Track: _____ Driver: _____

Surface: _____ Temperature: _____ Humidity: _____

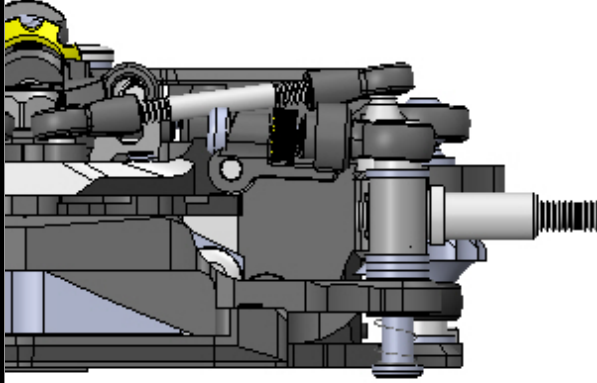
Body: _____
 Wheelbase: _____
 Motor: _____
 ESC: _____
 Battery _____
 Servo: _____

 Differential: _____
 LSD Clutch: _____
 Clutch O-ring: _____
 Spur Gear: _____
 Motor Pinion: _____

Front Wheel: _____
 Rear Wheel: _____
 Front Tire: _____
 Rear Tire: _____

Note: _____

Single Arm:

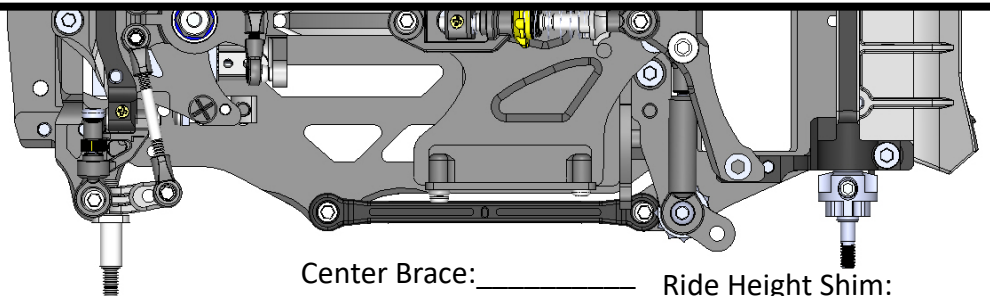
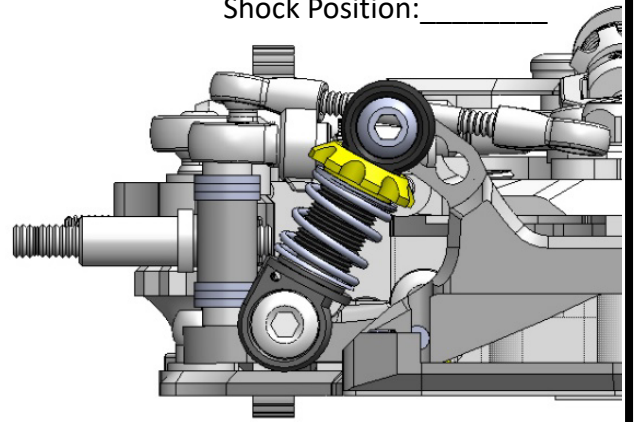


Camber: _____
 Upper Shim: _____
 Bottom Shim: _____
 Spring: _____
 Grease: _____
 Ride Height: _____

DWS:

Camber: _____
 Upper Shim: _____
 Bottom Shim: _____
 Spring: _____
 Grease: _____
 Ride Height: _____

Shock Position: _____



Center Brace: _____ Ride Height Shim: _____
 Chassis Material: _____ Side Spring: _____
 Middle Spring: _____ Damper Grease: _____
 Caster: _____ Long Damper:
 Damper Grease: _____ Short Damper: