

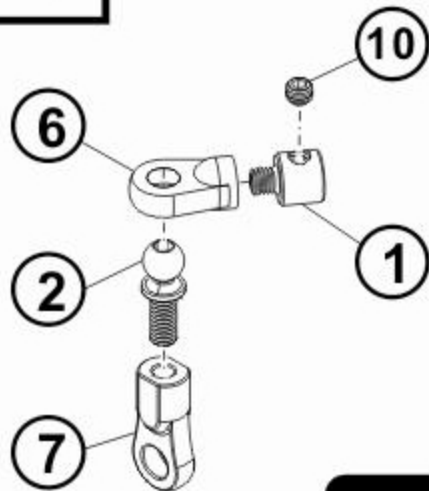


VM-061

VM-II Anti-Roll Bar Set

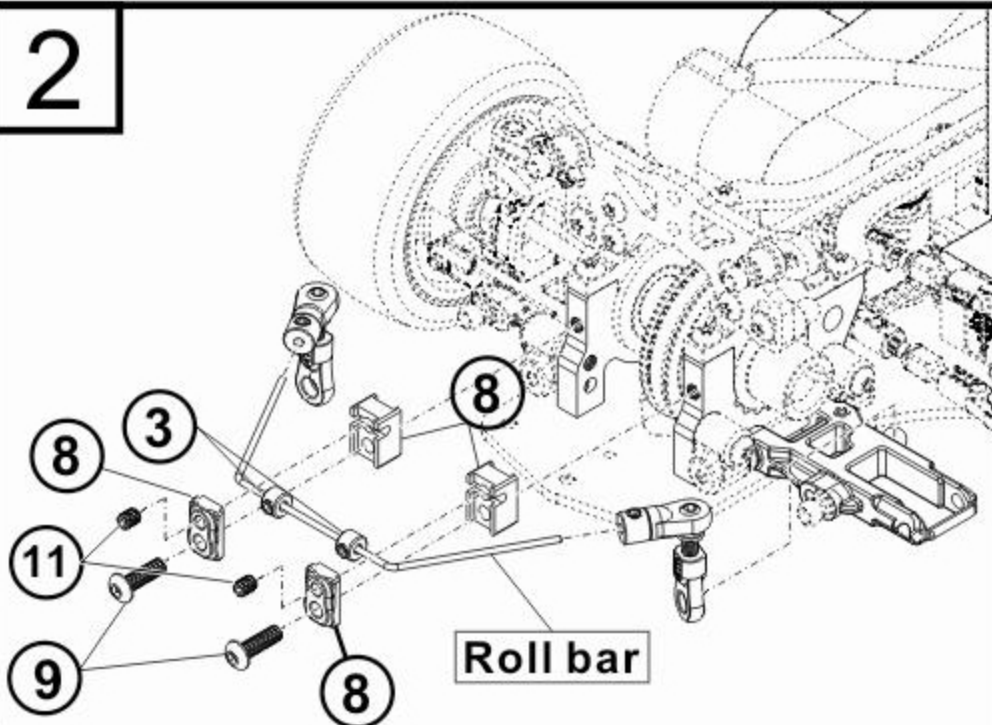
<http://www.rcatomic.com>

1



4x

2

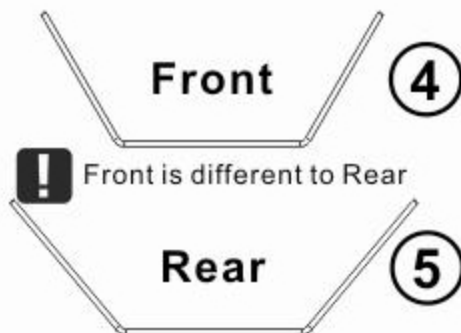


Roll bar

Package included:

- | | |
|-------------------------------|-----|
| 1. 6x8 Roll bar mount | x 4 |
| 2. M3x15 ball end | x 4 |
| 3. Collar | x 4 |
| 4. Anti-roll bar set(Front) | x 1 |
| 5. Anti-roll bar set(Rear) | x 1 |
| 6. Roll bar ball joint(Short) | x 4 |
| 7. Roll bar ball joint(Long) | x 4 |
| 8. Roll bar holder(F/R) | x 4 |
| 9. M3x10 screw | x 4 |
| 10. M3x3 set screw | x 4 |
| 11. M3x4 set screw | x 4 |

Instillation Front = Rear



Wire diameter	Symbol
Ø1.2mm	
Ø1.3mm	
Ø1.4mm	
Wire diameter	Symbol
Ø1.2mm	
Ø1.3mm	
Ø1.4mm	